

Controls

WT

Wall Mounted Residential & Commercial Room Thermostat



- 22 Amps, 24V AC/DC, 120V-240 VAC; 18 Amps, 277 VAC
- 45 - 75°F Temperature Range
- Ivory Color
- Mounts in Standard Electrical Box



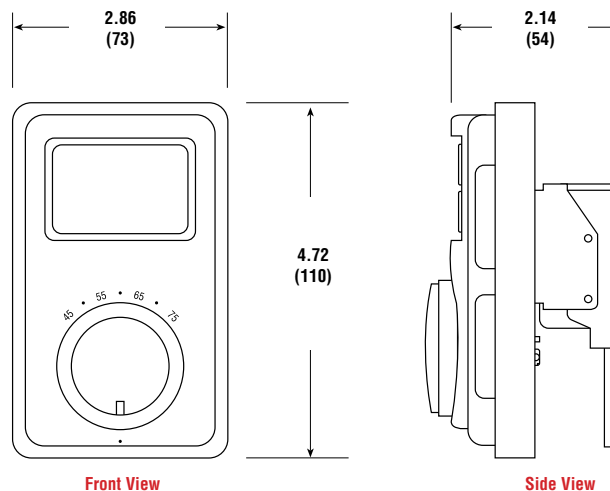
Description

The WT-121 and WT-122 Room Thermostats are designed to control individual heaters or may be used with an external contactor. The WT-121 provides heat control with a SPST snap action switch (open on rise) for breaking one line of the power source. The WT-122 also is a heat control but uses a DPST snap action switch and will break both lines of the power source.

Both models include heat anticipators—assuring closer and more even temperature regulation.

WARNING: Hazard of Fire. The WT thermostats are designed for temperature control service only. Because they are not fail-safe, they should not be used for temperature limiting duty.

Dimensions



All Dimensions in Inches (mm)

Specifications and Ordering Information

Model	Type	Temp. Range (°F)	Voltage/Current					Stock	PCN	Wt. (Lbs.)
			24V	120V	208V	240V	277V			
WT-121	SPST	45-75	22A	22A	22A	22A	18A	S	309999	1
WT-122	DPST	45-75	22A	22A	22A	22A	18A	S	310009	1

Stock Status: S = stock NS = non-stock