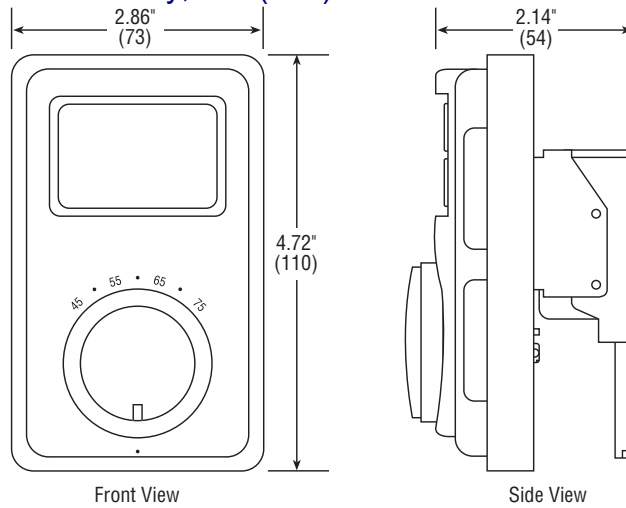


Installation Instructions

WT Room Thermostat



PK477-1
161-506096-001
November, 2016



Model	Temp. Range (°F)	Contacts	Maximum Rating					Pilot Duty
			24V AC	120V AC	208V AC	240V AC	277V AC	
WT-121	45-75	SPST	22 amps or 528 total watts	22 amps or 2640 total watts	22 amps or 4575 total watts	22 amps or 5280 total watts	18 amps or 5000 total watts	125V AC (use with AC contactor)
WT-122	45-75	DPST						

General

Note: Type WT thermostats are designed for temperature control service only. Because they do not fail safe, they should not be used for temperature limiting duty.

⚠ WARNING

Users should install adequate back-up controls and safety devices with their electric heating equipment. Where the consequences of failure may be severe, back-up controls are essential. Although the safety of the installation is the responsibility of the user, Chromalox will be glad to make equipment recommendations.

⚠ WARNING

Not for use in hazardous environments as described in the National Electrical Code. Failure to comply can result in explosion or fire.

Thermostat Location

1. Mount in any standard electrical outlet box. Use of extra deep box (3" x 2" x 3 1/2") makes for easier wiring.
2. Locate outlet box about 5' above floor on inside wall.
3. Box location should be representative of the area to be controlled. Avoid locations that are subject to drafts or false external heat (such as solar radiation, direct heat from heaters, etc.). Insure that the wall selected is capped to prevent drafts within the wall.

Installation

1. Cut lead wires protruding from outlet box approximately 4" from wall surface and strip end insulation 1/2".
2. Always test the heater circuit for electrical shorts before connecting the thermostat.
3. Remove thermostat knob and front cover.
4. Using wire-nuts or other local code approved devices, connect load and line wires to appropriate color coded thermostat wires. (See wiring diagrams below.)
5. Mount the thermostat to the outlet box using the screws provided. Take care not to push or damage the bimetal sensing element during installation.
6. Replace the thermostat front cover and knob.

⚠ WARNING

Any knob temperature setting below 50°F may result in freezing.

Wiring

⚠ WARNING

Hazard of Electric Shock. Disconnect all power before wiring or servicing this control.

Electric wiring to heater must be installed in accordance with National Electrical Code and with local codes.

⚠ WARNING

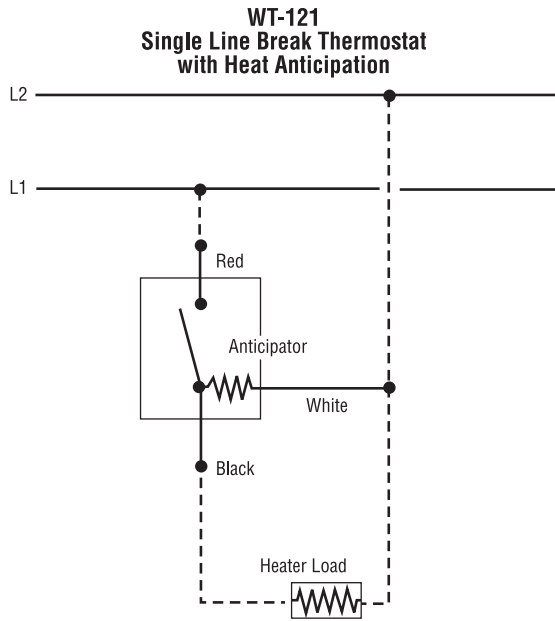
Use copper conductors only.

Connect wires according to wiring diagrams (Figures 1 & 2).

Note: Electrical connections should be made with generous loops of wire — approximately 6" per lead.

Note: If load amperage or voltage rating exceeds switch rating, a contactor must be used.

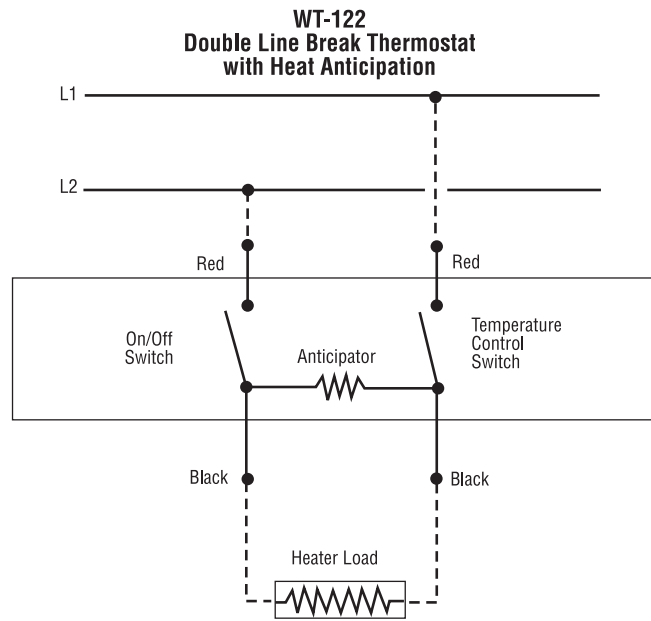
Figure 1



Note:

1. Connect anticipator lead (white) in parallel with heater.
2. Thermostat performance will be degraded if anticipator connection is omitted.

Figure 2



Note:

1. Suitable for control of one heating load only.
2. No separate connection required for heat anticipation.
3. Temperature control switch is located on right hand side when thermostat is viewed from the rear.

Limited Warranty:

Please refer to the Chromalox limited warranty applicable to this product at
<http://www.chromalox.com/customer-service/policies/termsofsale.aspx>.

**Chromalox, Inc.
1347 Heil Quaker Boulevard
Laverne, TN 37086
(615) 793-3900
www.chromalox.com**

© 2014 Chromalox, Inc.