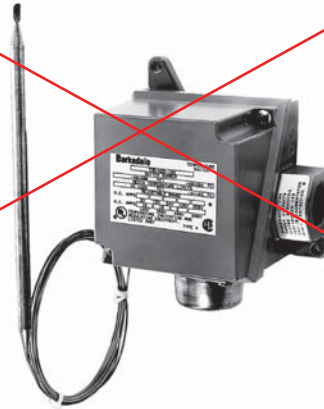


# HEATING CABLE

## THR, THL, TXR & TXL Heat Trace/Freeze Protection Thermostats

THR & THL  
NEMA 4X



APPROVED  
(For TXR & TXL  
Models only)



- THL & TXL Direct Mount for Freeze Protection (Ambient)
- THR & TXR Remote Mount for Heat Trace (Bulb & Capillary)
- 22 Amp Resistive Switch
- Single and Dual Output Models
- $\pm 1\%$  Setpoint Repeatability
- Fast Response for Protection of Valves and Piping
- NEMA 4X, 7 and 9 Enclosures

TXR & TXL  
NEMA 7



### Applications

- THR NEMA 4X Line or Pipe Sensing
- THL NEMA 4X Ambient Air Sensing
- TXR NEMA 7 Line or Pipe Sensing
- TXL NEMA 7 Ambient Air Sensing

### Description

Maintaining proper viscosity and flow is critical in heat trace or freeze protection applications. The THR remote mount thermostats utilize a stainless steel bulb and capillary design to accurately sense temperature at key points along a pipe. The THL direct mount thermostats feature liquid-filled thermal assemblies and sense air

temperatures from 15 to 140°F. Both models are epoxy coated to seal from moisture and contaminants in compliance with NEMA 4X requirements. NEMA 7 stats TXR and TXL are designed for Class I, Division I and 2, Groups B, C, D, and Class 2, Division I and 2, Group E, F, G.

### Specifications

<b>Ambient Temperature Limits</b>	-40° to +160°F (THR, TXR); -58°F to +160°F (THL & TXL) (-40 to +71°C); set point typically shifts
<b>Switch Output</b>	One SPDT (All types); two SPDT
<b>Electrical Rating</b>	22 Amps 125/250/480 Vac resistive
<b>Weight</b>	Types THR, THL: 1.9 lbs., 30.4 oz (.9 kg) Types TXR & TXL: 3.8 lbs., 60.8 oz (1.7 kg.)
<b>Electrical Connection</b>	All Models, 3 Pole Terminal Block
<b>Temperature Assembly</b>	THR, TXR: 10' Stainless Steel Bulb & Capillary THL, TXL: Direct Mount 8" Stainless Steel Bulb
<b>Fill</b>	Non-toxic oil filled
<b>Temperature Deadband</b>	Typically 2% of range
<b>Bulb Dimensions (TXR &amp; TXL) (THL &amp; TXL)</b>	Length 8", OD 5/16" Length 8", OD 5/16"

**WARNING: Hazard of Fire.** These devices function as temperature controls only. Because they do not fail-safe, an approved temperature and/or pressure safety control must be used for safe operation.

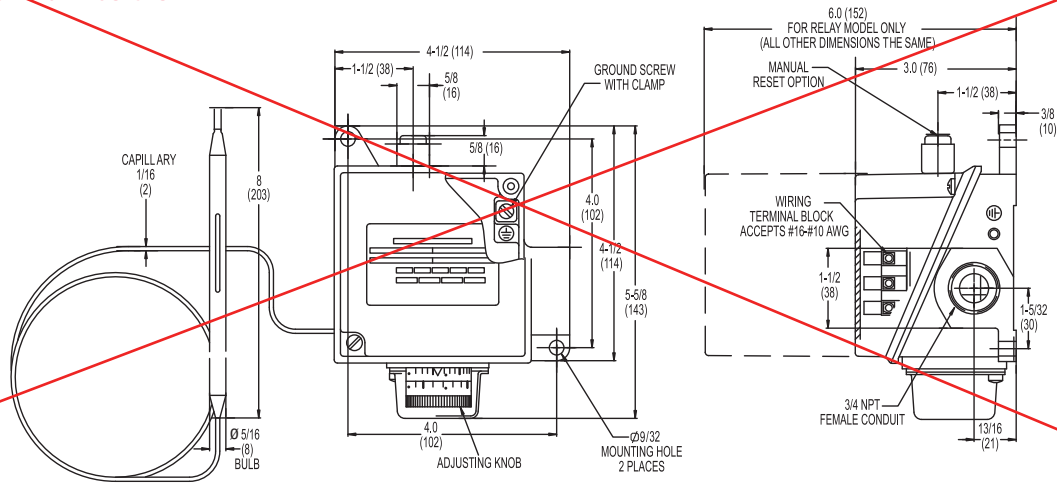
**HEATING CABLE**

**THR, THL,  
TXR & TXL**

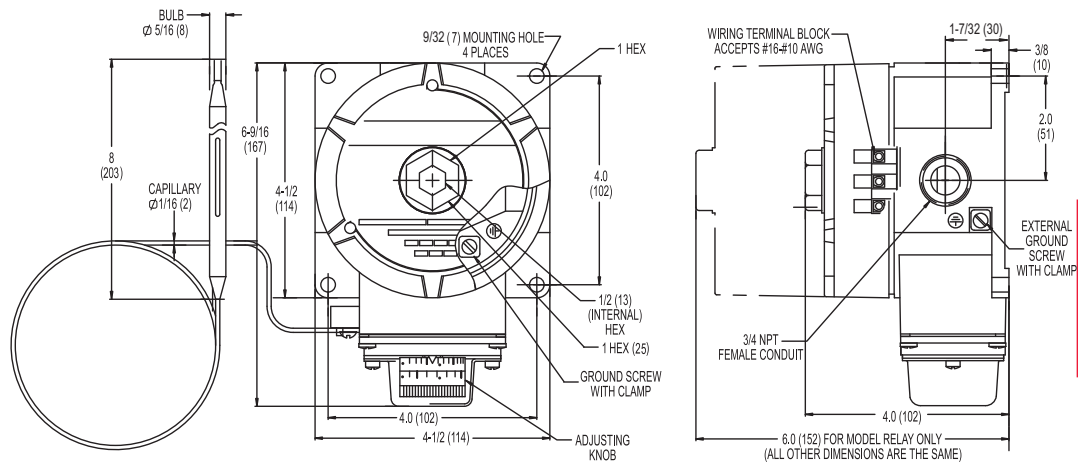
**Heat Trace/Freeze  
Protection Thermostats (cont'd.)**

**Dimensions (In.)**

**THR & THL Series Thermostats**



**TXR & TXL Series Thermostats**



**ACCESSORIES  
AND CONTROLS**

**Ordering Information**

Thermostat Type	Model	Switch Output	Enclosure NEMA	Stock Status	PCN
Heat Trace, Remote Bulb and Capillary 25 - 325°F (-5 to +163°C)	THR	Single Output	4X	S	387030
	TXR	Single Output	4X,7,9	S	387049
Freeze Protection Direct Mount 15 - 140°F (-10 to +60°C)	THL	Single Output	4X	S	387014
	TXL	Single Output	4X,7,9	S	387022