

Heating Cable

TPR

Heat Trace Freeze Protection Thermostat

- TPR Direct Mount for Freeze Protection (Ambient)
- Fixed Factory Setpoint 40°F(4.4°C)
- 22 Amp Resistive Switch
- Single Pole Double Throw (SPDT) Switch
- High Accuracy
- NEMA 4X & IP 65 Enclosure
- UL, CSA and CE Approved



Description

The Chromalox TPR thermostat is designed to control heat tracing systems used for freeze protection in nonhazardous locations. The thermostat has a fixed setpoint of 40°F(5°C) and can be used for ambient sensing or line sensing. It can be used to control a single heat trace circuit or as a pilot controller of a contactor switching multiple circuits.

WARNING — HAZARD OF FIRE. These devices function as temperature controls only. Because they do not fail-safe, an approved temperature and/or pressure safety control must be used for safe operation.

Specifications

Ambient Temperature Limits.....	-30°F to +140°F (-34°C to 60°C)
Media Temperature Limits.....	-40°F to +160°F (-40°C to 71°C)
Enclosure.....	NEMA 4X, IP65
Switch Output.....	One SPDT
Electrical Rating.....	22 Amps 125/250/480 VAC resistive
Weight.....	1.1 lbs. (.5 kg)
Entries.....	One 3/4" (19mm) through hole
Connection.....	Two 14 AWG(2 mm ²) pigtails, One ground screw
Temperature Assembly.....	3 ft. tinned plated copper bulb & capillary
Fill.....	Silicone oil filled
Temperature.....	Deadband Typically 3% of range
Bulb Dimensions (TXR & TXL).....	Length 3-1/8", OD 1/16"

HEAT TRACING
PRODUCTS

Heating Cable

TPR

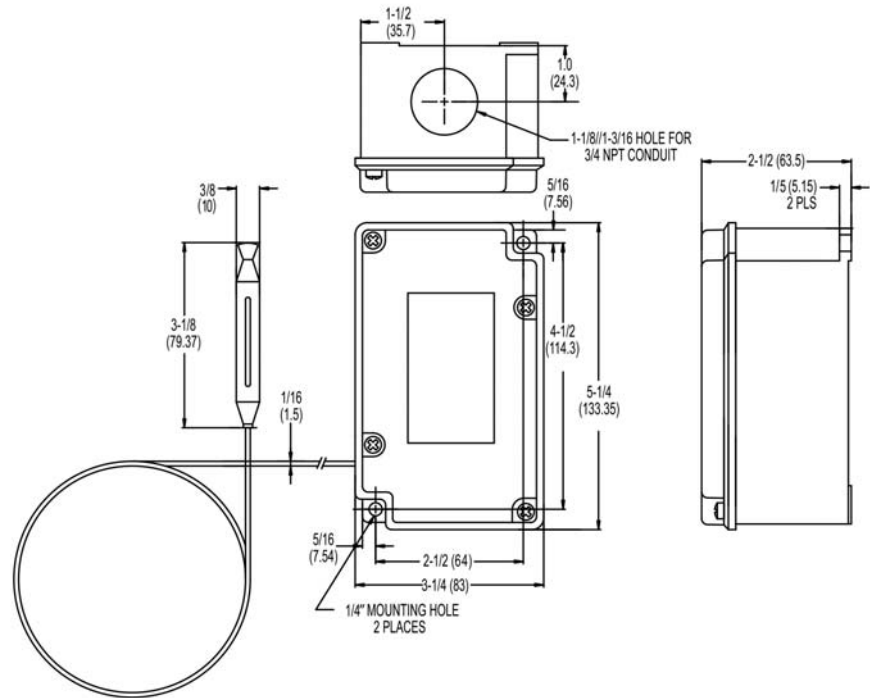
Heat Trace Freeze

Protection Thermostat

(cont'd.)

Dimensions In. (mm)

TPR Thermostat



Ordering Information

Thermostat Type	Model	Switch Output	Enclosure NEMA	Stock Status	PCN
Freeze Protection 40°F (4.4°C)	TPR	Single Output	4X	S	390221