

## Installation Instructions

# **RTPC-SL** and **RTST-SL** Signal Light Modifications

for DL Series Connection Kits



PJ459-7  
161-562773-001  
May 2020

## **RTPC-SL and RTST-SL Signal Light Modifications** for DL Series Connection Kit Installation Instructions



**RTPC-SL Power Connection Kit w/Signal Light**

Qty	Description
1	Junction Box
1	Junction Box Lid
1	Junction Box Base
1	Four Position Terminal Block
1	Mounting Screw for Terminal Block
1	LED 120, 208-240, or 277V
1	Cover gasket
4	Cover screws, 5/8" long
4	Box screws, 1" long



**RTST-SL Splice & Tee Kit w/Signal Light**

Qty	Description
1	Junction Box
1	Junction Box Lid
1	Junction Box Base
1	Four Position Terminal Block
1	Mounting Screw for Terminal Block
1	LED 120, 208-240, or 277V
1	Cover gasket
4	Cover screws, 5/8" long
4	Box screws, 1" long

### General

This sheet will provide the instructions necessary for incorporation a signal light into all versions of the RTPC and RTST kits. This sheet must be used in conjunction with the instructions contained in the above mentioned kits. Not all sections of this sheet will apply to the kit you are using. Each section has a boldfaced title which indicates for what kit and installation instruction sheet the section covers.

Note: The RTST-SL kit is used as an end seal kit. It is not designed as a splice or tee connection kit. Follow the instructions listed in PJ452 but note that only one cable will be brought into the box.

**IMPORTANT:** This kit comes with the LED installed in the pilot light assembly.

Please check you kit model number against the system voltage before installation

SL1 120V

SL2 208-240V

SL3 277V

### **⚠ WARNING**

**HAZARD OF ELECTRIC SHOCK. Disconnect all power before starting. All installations must be effectively grounded in accordance with the National Electrical Code to eliminate shock hazard.**

### **⚠ WARNING**

**Turn off power before removing junction box cover at all times.**

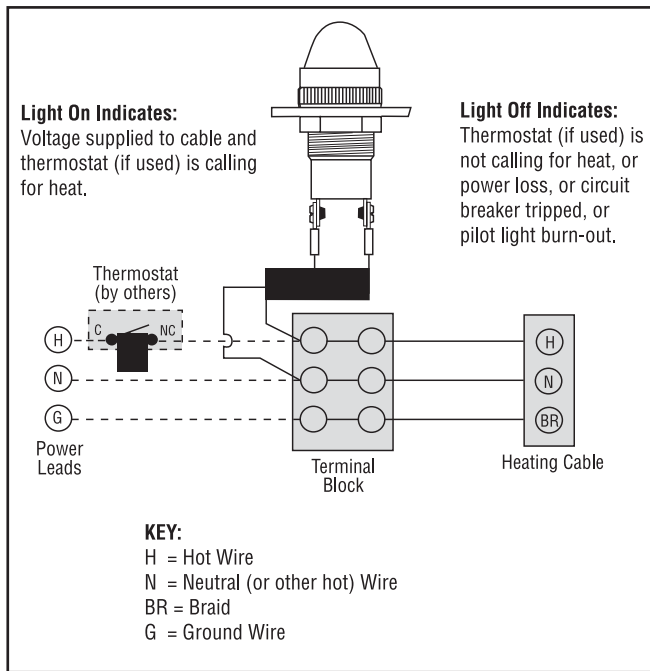
### **⚠ WARNING**

**Users should install adequate controls and safety devices with their electric heating equipment. Where the consequences of failure may be severe, back-up controls are essential. Although the safety of the installation is responsibility of the user, Chromalox will be glad to assist in making equipment recommendations.**

**Wiring Diagrams**

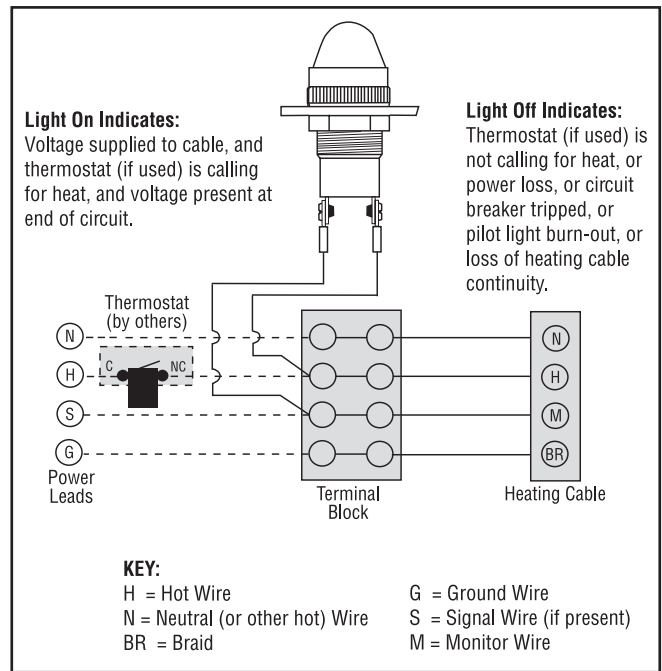
**For RTPC -SL  
(For all cables except monitor wire version)**

Prior to Step 11 of PJ451, wire signal light per figure below.



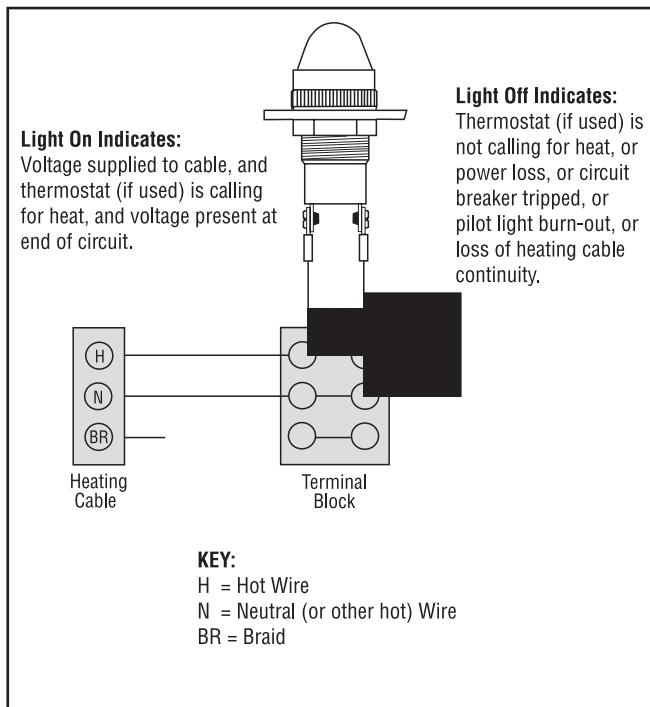
**For RTPC -SL  
(For cables with monitor wire)**

Prior to Step 11 of PJ451, wire signal light per figure below.



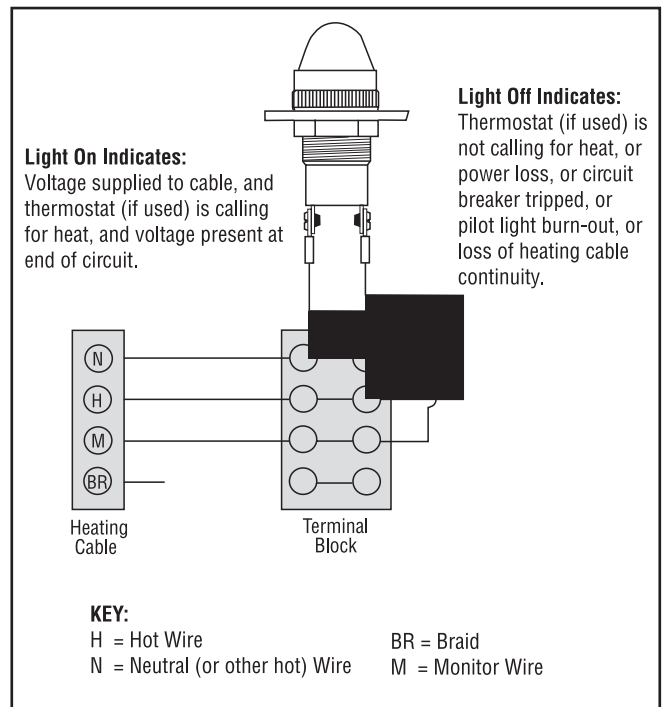
**For RTST -SL  
(For all cables except monitor wire version)**

Prior to Step 10 of PJ452, wire signal light per figure below.



**For RTST -SL  
(For cables with monitor wire)**

Prior to Step 10 of PJ452, wire signal light per figure below.



**Certifications/Approvals**

IP66 NEMA/Type 4x -60°C < Ta < +55°C

Ordinary & Hazardous Locations

Class I, Division 2 Groups A,B,C, & D, Zone 2 IIC

Class II, Division 2, Groups F & G, Class III



**Limited Warranty:**

Please refer to the Chromalox limited warranty applicable to this product at [http://www.chromalox.com/customer-service/policies/terms\\_of\\_sale.aspx](http://www.chromalox.com/customer-service/policies/terms_of_sale.aspx).