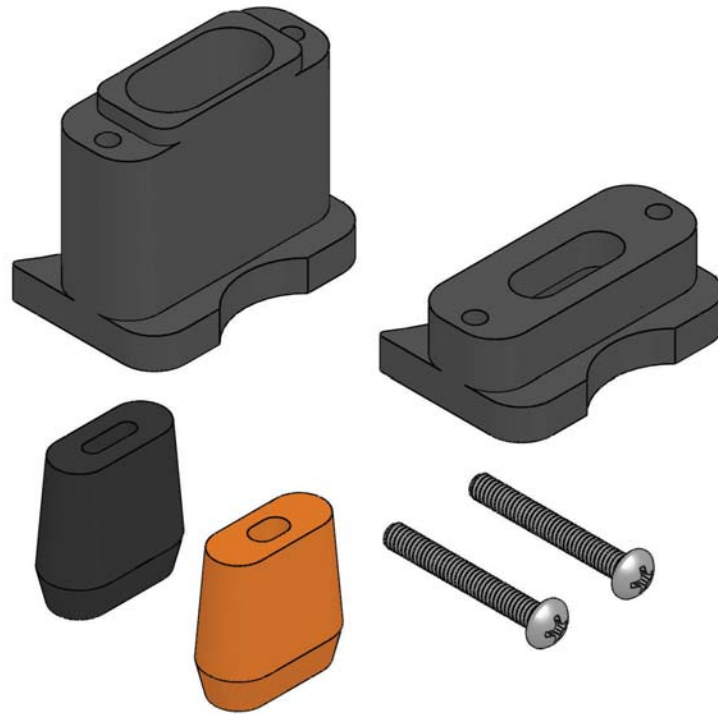


Installation Instructions

RTES End Seal Kit

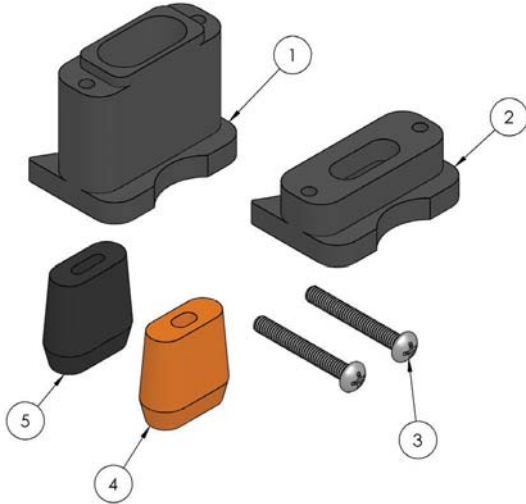
For Self-Regulating & Constant Wattage Heating Cables



PJ450-11
161-562761-001
July 2020

RTES End Seal Kit

Self-Regulating & Constant Wattage Heating Cable Installation Instructions



| Item | Qty | Description |
|------|-----|-------------------------------|
| 1 | 1 | End Cap |
| 2 | 1 | Pressure Plate |
| 3 | 2 | Screws |
| 4 | 1 | Constant Wattage Grommet |
| 5 | 1 | Self-Regulating Cable Grommet |

General

The RTES End Seal kit is used for electrical termination of self-regulating and constant wattage cables. Each kit contains the terminations needed to make all electrical connections.

Certifications & Approvals

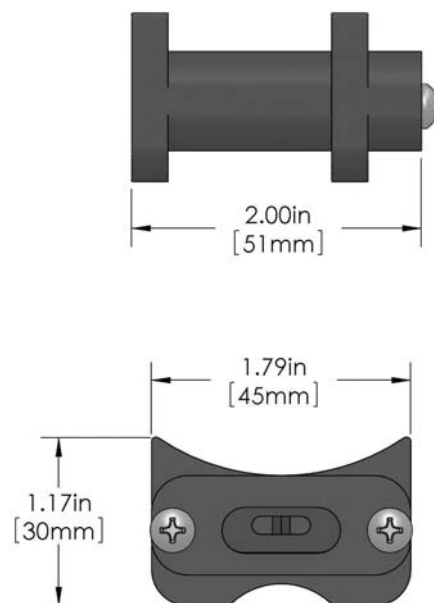
IP66 NEMA/Type 4x $-60^{\circ}\text{C} < T_a < +55^{\circ}\text{C}$
 Ordinary & Hazardous Locations
 Class I, Division 2 Groups A,B,C, & D, Zone 2 IIC
 Class II, Division 2, Groups F & G, Class III



Tools Required for Kit Installation



Actual Kit Dimensions



⚠ WARNING

HAZARD OF ELECTRIC SHOCK. Disconnect all power before opening. All installations must be effectively grounded in accordance with the National Electrical Code to eliminate shock hazard.

⚠ WARNING

Turn off power before removing junction box cover at all times.

⚠ WARNING

Users should install adequate controls and safety devices with their electric heating equipment. Where the consequences of failure may be severe, back-up controls are essential. Although the safety of the installation is responsibility of the user, Chromalox will be glad to assist in making equipment recommendations.

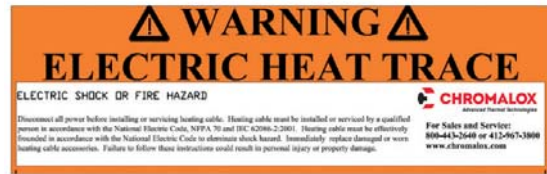
Order Separately

Pipe Straps

- PS - 1 (382352) - 1/2" to 3/4" pipes
- PS - 3 (382360) - 1" to 3-1/2" pipes
- PS - 10 (382379) - 2-1/2" to 9" pipes



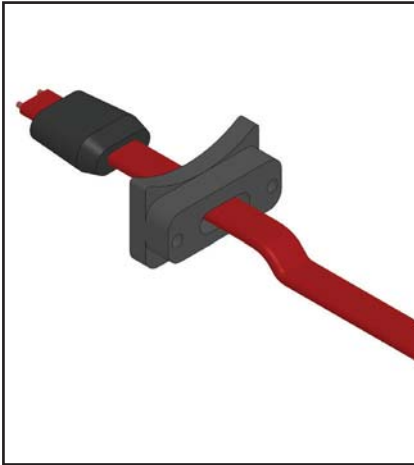
Caution Label CL-1 (382424)



Fiberglass Tape FT-3 (389941)



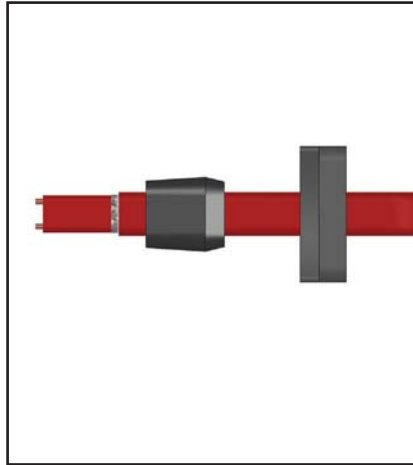
Cable installation instructions: SRL, SRF, SRM/E, SRP CWM cable special instructions denoted by *



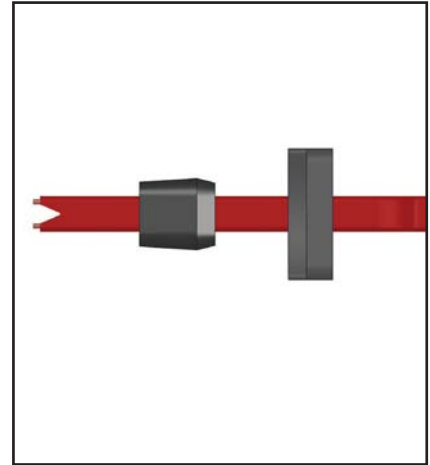
1. Slide the pressure plate and grommet over the end of the cable. If using -C cable, push braid back three inches so that braid is on opposite side of pressure plate.

If using CWM cable, cut the cable four inches from the last module point

Note: The pressure plate and end cap have different size curved surfaces on the top and bottom of each piece designed to give a better fit on process equipment. The side with the smaller radius curve is for use on pipes with diameters up to three inches or flat surfaces. The other side is for use on pipes with diameters of three inches or more.

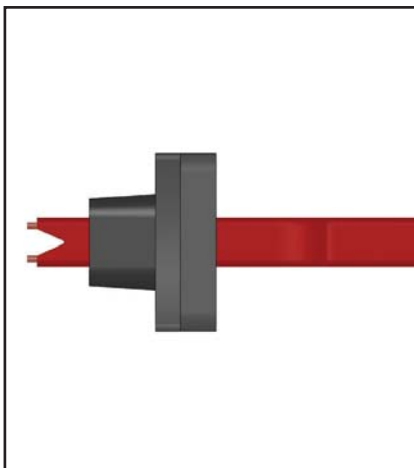


2. Score the outer jacket one inch from the end of the cable. Remove the jacket to expose the braid. Unravel and trim the braid flush with the outer jacket. Pull any strands of braid back towards the outer jacket.

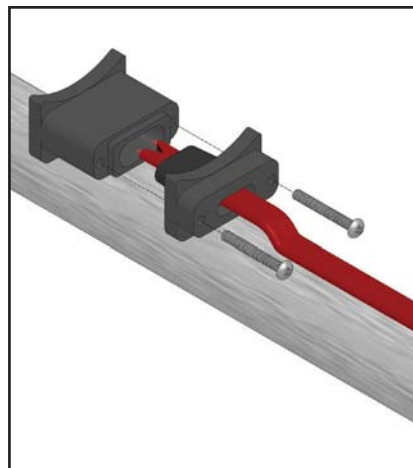


3. Using standard electrical cutters, cut a "VEE" notch between the buss wires.

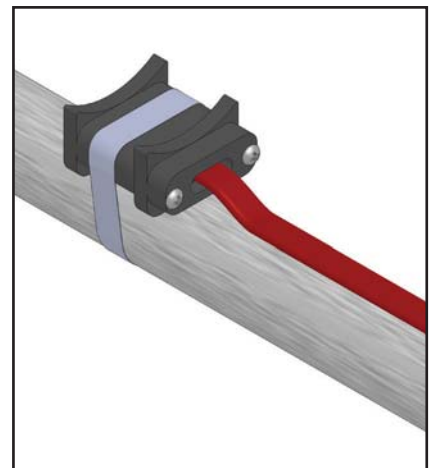
Note: When using SLL cables, score base insulation 3/4 inch from end of the cable and remove the jacket from the cable. Strip all clear insulation from buss wires and twist wires together.



4. Slide the pressure plate and grommet towards the end of the cable leaving 5/8" of the cable past the end of the grommet.



5. Slide the end cap over the grommet. Using a screwdriver, connect the pressure plate to the end cap.



6. Using a fastening device, fiber reinforced electrical tape (Chromalox FT-3 or equal), secure the assembly to the pipe. Wrap the tape around the assembly between the legs.

Limited Warranty:

Please refer to the Chromalox limited warranty applicable to this product at <http://www.chromalox.com/customer-service/policies/termsofsale.aspx>.

© 2020 Chromalox, Inc.