

CONTROLS

PIT Non-Indicating Temperature Controllers



PIT
(Rain Tight)



- Compact Size
- Raintight Applications
- 0 - 150°F and 100 - 250°F Temperature Range
- Single Phase, 120 - 277 Vac
- Bulb & Capillary

Applications

For a variety of process applications requiring a rain-tight, PIT controllers may be used in pipe tracing and snow melting applications with electric heating cable.

Features

- Opens or closes a circuit on temperature rise.
- Single pole, double throw (SPDT) snap action switch.
- Rain-tight gasketed enclosure, Type PIT, is 0.062" steel. Simple mounting on three rubber-cushioned feet. Has adjustable high limit stop. Plain copper bulb and capillary.
- Capillary Length 10 ft 1/16" Dia.

Ampere Ratings

For control applications involving pump, fan or other motors.

Voltages (AC only)	120	208	240
Full Load Amps	16	9.2	8
Locked Rotor Amps	96	55.2	48

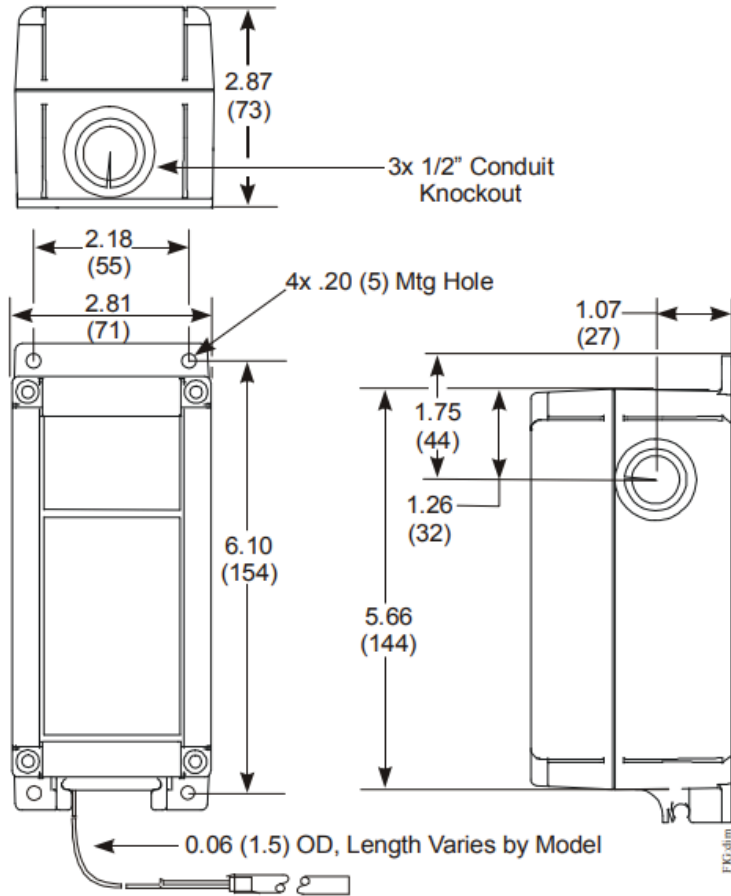
WARNING: Hazard of Fire. These controls function as temperature controls only. Because they do not fail-safe, an approved temperature and/or pressure safety control must be used for safe operation.

CONTROLS

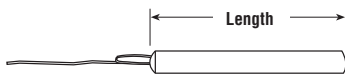
PIT

Non-Indicating Temperature Controllers *(cont'd.)*

Dimensions

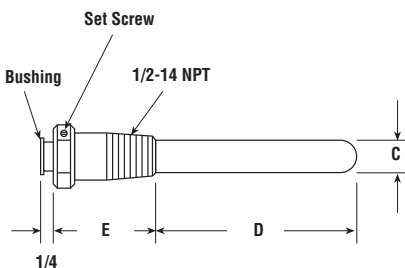


Sensing Bulbs for PIT



All Dimensions in Inches (mm)

Protective Wells



Ordering Information — PIT Rain-Tight

Temperature Range (°F)	Amp. 120-277V	Bulb Dimensions (In.)		Nominal Diff. (°F)	Model	Stock	PCN	Wt. (Lbs.)
		Diameter	Length					
Rain-Tight Gasketed Enclosure								
0 - 150	22	0.300	2-1/2	5	PIT-15	S	140610	2.5
100 - 250	22	0.300	2-3/8	6	PIT-25	S	140628	2.5

Stock Status: S = stock NS = non-stock

Notes —

- A. Capillary length is 10' with 1/16" Dia.
- B. See ordering information table above for Bulb and Capillary dimensions.
- C. Pilot duty rating, 125 VA for 120 - 277 Vac..

ELECTROMECHANICAL & THERMOSTATS

PIT Protective Wells

Well Material	Dimensions (In.)				Model	Stock	PCN	Wt. (Lbs.)
	C	D	E	I.D.				
Copper	3/8	2-3/8	2-15/16	0.290 ¹	CPWC-1	S	269624	0.5

Stock Status: S = stock NS = non-stock