

# Controls

## EPETD-8D

### Explosion Proof Room Thermostat



- Heavy Duty
- 22 Amps @ 120 - 277 Vac
- Full Load Motor Rating:  
3/4 HP @ 125Vac, 1-1/2 HP @ 250Vac
- Double Pole, Double Throw (DPDT) Snap Action Switch Operation
- Heat, Cool or Heat/Cool compatible
- Temperature Range 50-90°F (10-32°C)
- Temperature Adjustment Knob with Dual Temperature Scale
- Bi-Metal Temperature Sensor
- Case accepts 2 x 3/4" NPT conduit (on top and bottom)
- 3/4 NPT Plug & 1/2 X 3/4 NPT Adapter included
- 1/2" thick cast Aluminum housing
- UL/cUL Class I, Groups C&D, Class II, Groups E, F & G
- NEMA Class 7, Div 1 Approved
- Tolerance: Heat 2°F/Cool 4°F
- Dimensions: 5.625" x 6.375" (143mm x 162mm)

#### Description

The EPETD-8D Thermostat is designed to control heating, cooling, heating and cooling or ventilation systems in commercial or industrial applications that are located in hazardous areas.

Applicable industries include oil & gas, petrochemical, power generation, food & beverage, waste water, mining, agriculture, general industrial and the life sciences including lab/analytical and medical.

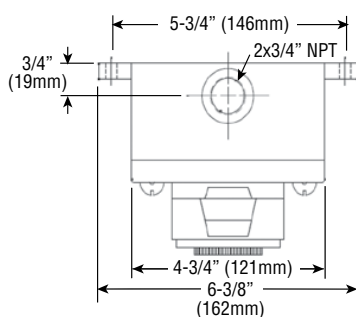
The EPETD-8D is suitable for challenging environments found in grain elevators, munition plants, hospital operating rooms, fueling depots as well as any hazardous area with comfort-air needs.

This thermostat has a snap action, double pole-double throw switch operated by a bimetal actuator and is offered with an adjustable, dual temperature scale knob with positive off.

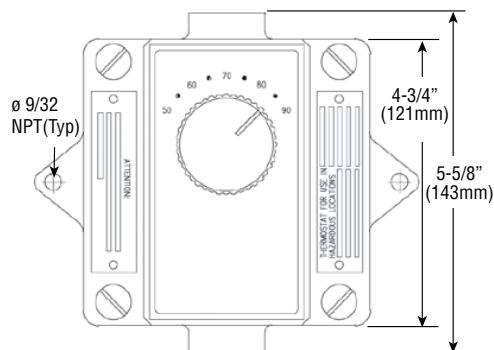
No leveling is required during installation. The case is conveniently equipped with top and bottom 3/4" NPT taps, a 1/2" x 3/4" adapter and a 3/4" NPT plug.

The EPETD-8D is UL/cUL Listed for Class I, Groups C & D, Class II, Groups E, F & G and carries a NEMA7/Div 1 enclosure rating.

#### Dimensions In. (mm)



Top View



Front View

#### Specifications and Ordering Information

Model	Temperature Range	Current	Voltage	Weight	Approvals	PCN
EPETD-8D	50-90°F 10-32°C	22 Amps	120-277 Vac	5 lbs. 2.3 kg	UL/cUL Class I, Groups C & D Class II, Groups E, F & G NEMA 7, Div 1	266204